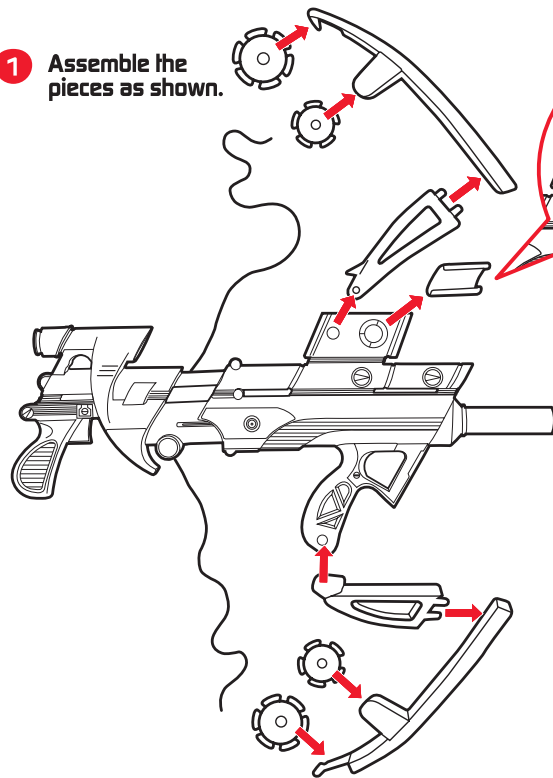
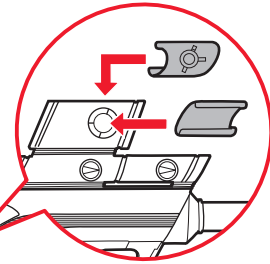


ASSEMBLY:

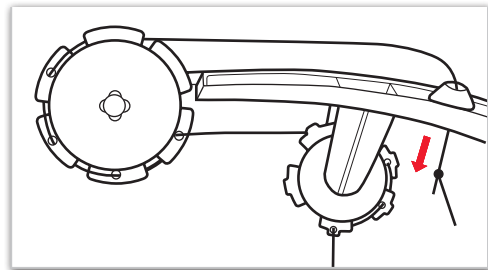
1 Assemble the pieces as shown.



2 Snap on the arrow holders.

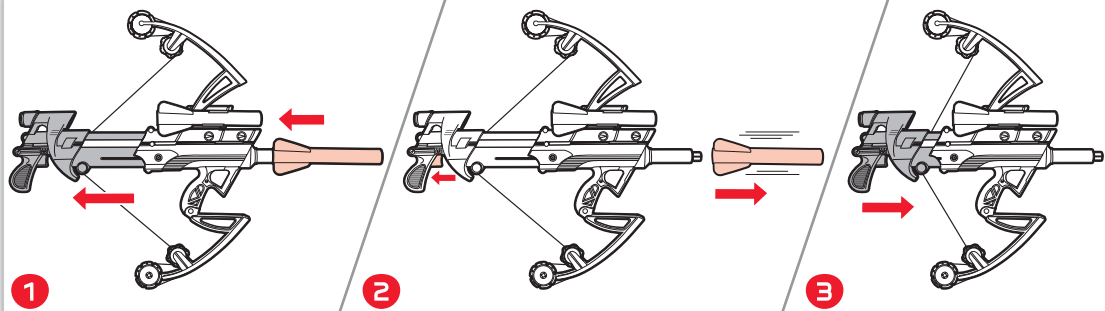


3 Thread the string through the holes in the wheels. Pull the string through the hole in the bow. Tie a double knot in the end to secure.



NOTE: String is for decoration only and does not affect the function of the bow.

FIRING:



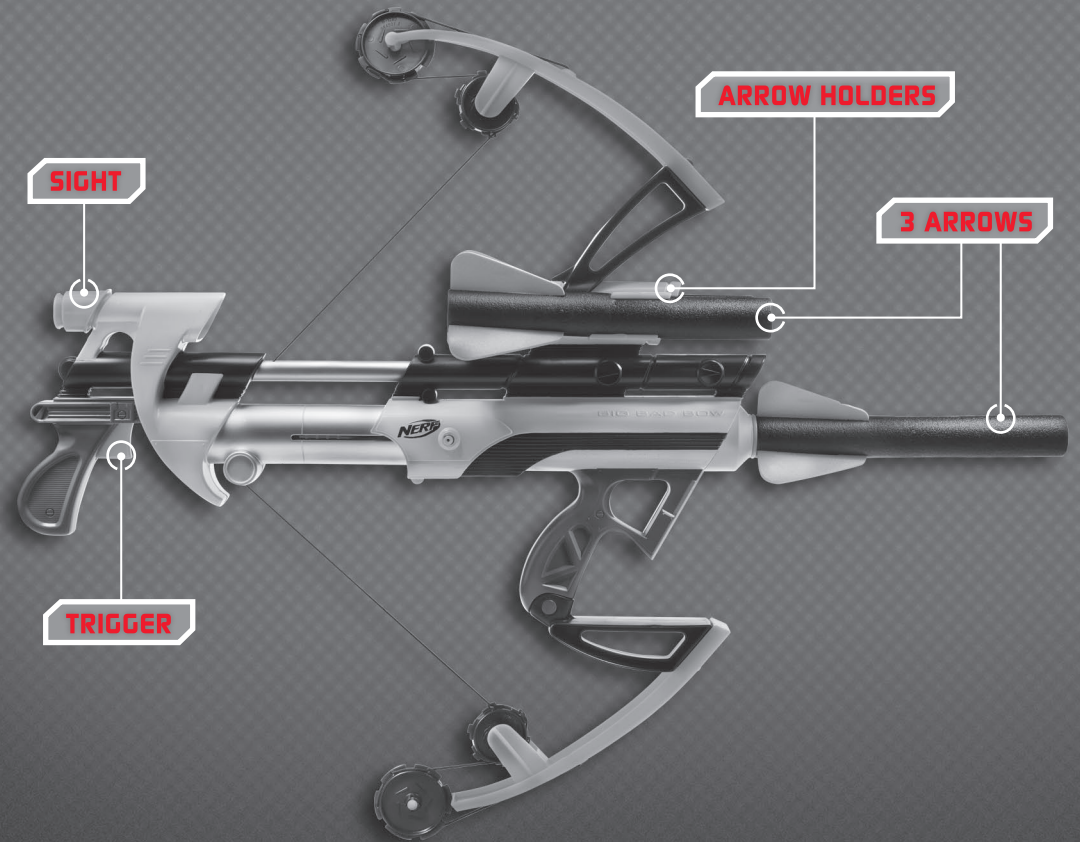
CAUTION:
Do not aim at eyes or face.
TO AVOID INJURY: Use only arrows designed for this product. Do not modify arrows or bow.

AGES 6+



BIG BAD BOW™

Be sure to read and follow all instructions carefully before using this product.



© 2010 Hasbro. All Rights Reserved.
TM & © denote U.S. Trademarks.
U.S. Patent Nos. 6076513 and 5529050.
317550000 PN 7100750000



Not suitable for children under 3 years because of small parts - choking hazard.

Product and colors may vary.

NERF.COM
FOR NEW PRODUCTS AND OFFERS
Questions? Call: 1-800-327-8264